

ASSEMBLY MANUAL - COMPUTER SOCKETS

The manual concerns the following types of sockets:

| Series | Symbol of the product |
|--------|--|
| DECO | DGK-7, DGKBO-7, DGK-8, DGKBO-8, DGK-9, DGKBO-9, DGK-10, DGKBO-10, DGK-11, DGKBO-11, DGK-12, DGKBO-12 |
| MINI | MGK-7, MGKBO-7, MGK-8, MGKBO-8, MGK-9, MGKBO-9, MGK-10, MGKBO-10, MGK-11, MGKBO-11, MGK-12, MGKBO-12 |

Installation instructions with shielded and unshielded RJ45 sockets as an example:

1. Wire preparation:

- remove insulation of the outer jacket of the wire at a distance of 40 mm and separate the conductors at the socket,
- if the wire is shielded, remove the aluminium foil (if any) from each pair of conductors and wrap the outer shield over the wire sheath (Photo 1).

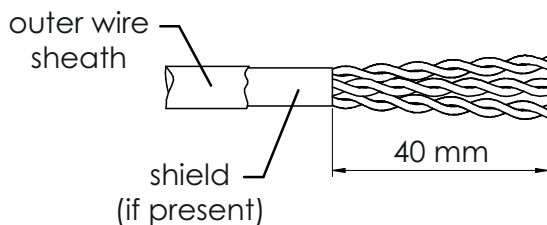


Photo no. 1

2. Place the wires in the guide:

- insert the wire into the guide and lay out all four pairs of conductors by placing the individual conductor colours in the slots according to the layout instructions and the standard selected previously (see table below or colour print on the guide),
- make sure that the colours are in the right place,
- trim the ends of the wires (Photo 2).

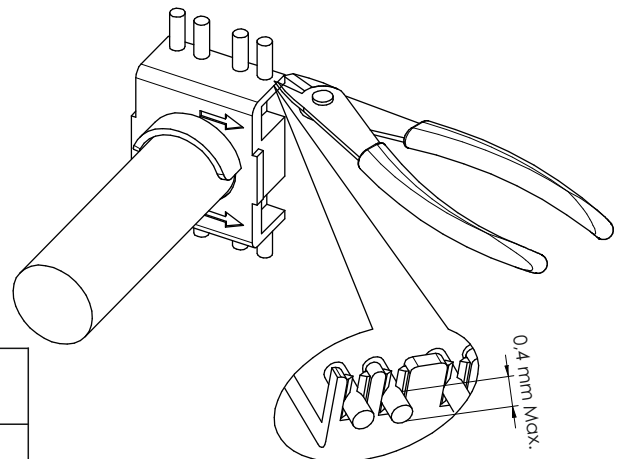


Photo no. 2

| COLOR INSTRUCTION FOR T568A OR T568B | | |
|--------------------------------------|--------------|--------------|
| | T568A | T568B |
| 1 | white/green | white/orange |
| 2 | green | orange |
| 3 | white/orange | white/green |
| 4 | orange | green |
| 5 | blue | blue |
| 6 | white/blue | white/blue |
| 7 | white/brown | white/brown |
| 8 | brown | brown |

ASSEMBLY MANUAL - COMPUTER SOCKETS

3. Final assembly:

- press the guide to the body to align the wires laid in it with the slot connectors at the back of the body (Photo 3),
- to connect the wires, press the body wings together until engaged (Photo 4),
- fix the wire tie on the body (Photo 5).

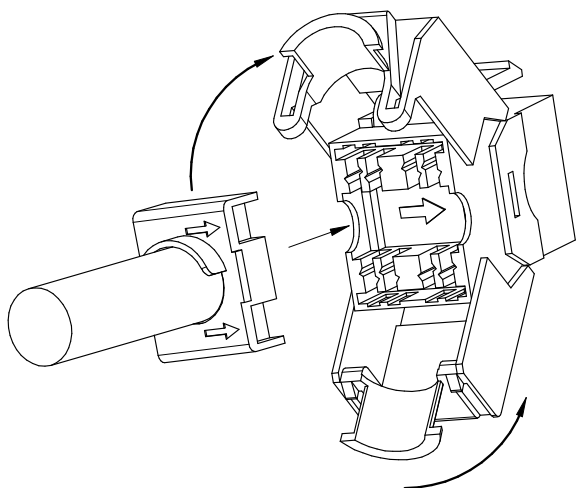


Photo no. 3

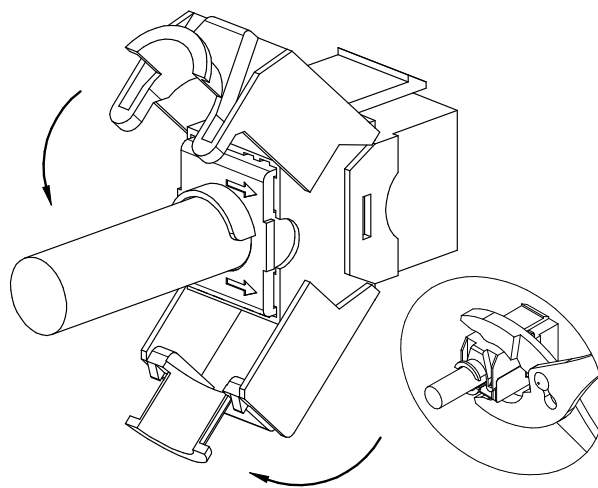


Photo no. 4

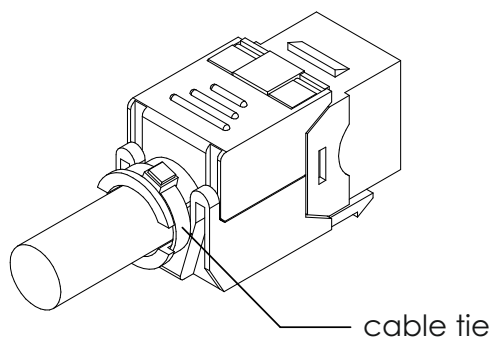


Photo no.5

NOTE!

Assembly shall be held by a suitably qualified person with deactivated voltage and shall meet the national safety standards.